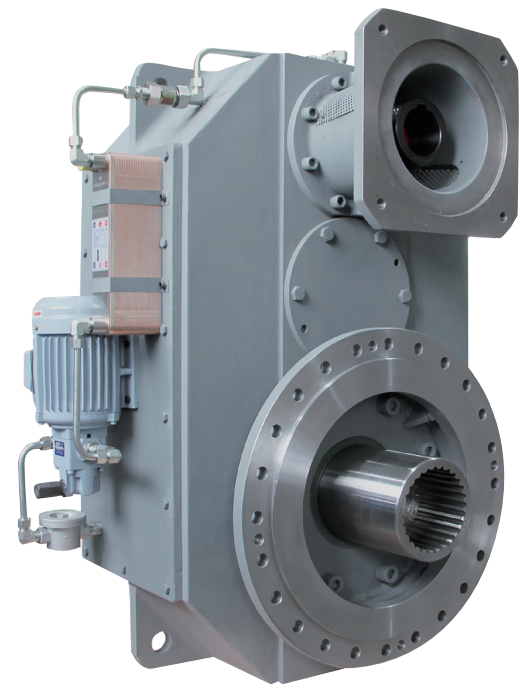
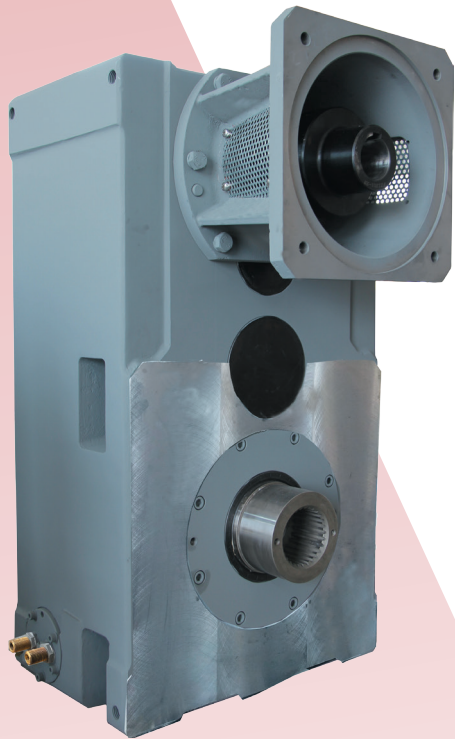


注塑机TIN/KIN系列 专用齿轮箱

**TIN/KIN Series Gearbox
for Injection Machine**



专业减速机制造商

低背隙摆线减速机 (RV)
斜齿轮和伞齿轮减速机
摆线减速机和衍生品
行星减速机

**南京传仕重工科技有限公司
传仕精密机械股份有限公司**

www.transcyko.com
www.transcyko.com.cn

传仕精密股份有限公司创立于 1982 年，是一家专注于减速机马达研发与制造的专业生产厂商。优良的质量及快速反应的售服，赢得诸多客户的好评。

传仕以客户为中心，质量为生命。不断地创新及不懈的奋斗，铸成公司极具生命力的文化，公司开发了摆线针轮，行星减速及硬齿面齿轮箱。广泛应用于钢铁行业，化工行业，橡塑行业，冷却水塔行业及机械行业等。近几年已成功研发并生产 RV 减速机，应用于机器人及工程车辆的领域。

传仕研发的不断创新、精密的加工中心、精良的测试仪器、优秀的销售团队为您提供性能优越、品质最佳的机械产品。

全电式注塑机 TIN/KIN 系列齿轮箱，节能、成型周期短、污染小、噪音值低、节约冷却水、成型精度高、射出速度快、在原有模具做射出挤压成型和生壁厚保压时间长的产品效果极佳。

Transmission Machinery Co., Ltd. (Transcyko) is a professional speed reducer manufacturer built in 1982, which has its own R& D team. Also due to great quality and fast responses, Transcyko is well known for positive feedback from the customers.

Transcyko is customer-centered. First priority is quality. We strive for innovation and continuously hard working to better serve our customers as our main tasks. Transcyko has developed various kinds of speed reducers, including cycloidal speed reducers, planetary drives, industrial helical and bevel gearboxes specialized in plastic, rubber, automation, robotics, steel, chemistry, cooling tower, and other constructional and industrial use.

Transcyko never gives up in innovation, best quality of speed reducers by using updated CNC machining centers, precise measuring machines along with our best sales and technical teams.

Our KIN/KIN series has the benefits of saving electricity, short molding cycle, less pollution, low noise, saving water waste, high molding precision, fast injection speed, which achieved excellent performance to made injection extrusion forming and produce thick wall longer dwell time products.

一般事项

TIN/KIN 齿轮箱主要是为了驱动射出机上的塑化螺杆而开发的。这些拥有平行轴的齿轮箱，由于其特殊的配置设计和制造，很适合用于高扭矩的传输以及承受高速运转，不仅噪音低而且提供超过 95% 以上的工作效率。

在输入（电动马达）和输出（连接驱动螺杆和料管）的黄金距离设计采用三组齿轮（亦即 3 段减速设计），是为使得入力之间的空间足以整合包括马达、齿轮箱、螺杆和料管完整之系统成一“U”型设计，以节省空间并能发挥最大效益。

外箱

齿轮箱的外箱材质为灰口铸铁 FC250 或球墨铸铁 FCD450 或钢制箱体。

齿轮

齿轮是斜齿设计，材质为 18CrNiMo7-6。它的齿轮加工是根据 DIN6（或以上）品质标准，以确保最低噪音和高效率。

轴承

此系列的齿轮箱使用进口锥度或调芯轴承，均有世界一流制造商所制。

马达法兰和驱动轴

（可直接取代传统的油压系统）

为了便于组装 TIN 系列的齿轮箱于射出机上，马达法兰和入力轴为标准配备，其连接方式与传统的油压马达系统相同。

这种设计让客户能在很短的时间内不用任何机器上的修改即可将传统油压系统替换为电动机械传动方式。

另可依据客户的图面要求，制造特殊的马达法兰和入力轴的齿轮箱。

出入部分的法兰是采用铸铁制的，而出力轴则采用调质式的合金钢材所制造而成。

使用系数

此目录上所显示的传输功率是依据使用系数 1 为基本考量。为选择最适当之齿轮箱，我

General notes

The gearboxes of the TIN/KIN series have been developed for the driving of plastifying screws for injection moulding presses. These gearboxes with parallel arranged axes, due to their special configuration provided during design and construction, are suitable to transmit elevated torque rates and to receive high input revolutions, causing only a low noise level and offering a service ratio over 95%. The great distance between input (electric motor) and output (connection with drive-screw and cylinder) designed by using 3 toothed gear pairs avoids any problem of interference between the different components, The special execution in U shape optimizes the overall dimensions of the entire system of motor/gearbox/drive-screw and plastifying cylinder.

Casing

The casing of the gearboxes is made of grey cast-iron FC250 or ductile cast iron FCD450 or welded steel.

Gears

The gears are made of case-steel type 18CrNiMo7-6 and have a helical toothing. The profile is ground to DIN6 quality so to ensure the lowest noise level and an efficient use.

Bearings

The gearboxes of this series are provided with taper roller bearings or spherical roller bearings of excellent makers.

Flanges and drive shafts

(interchangeable with the hydraulic system) In order to facilitate mounting of the gearboxes of the TIN-P3 series to the injection presses, the standard version is supplied completely with flange and drive-shaft having the same fittings which are normally used for the typical hydraulic motor systems. This construction enables the customer to build the electromechanical solution within a short time without any modification on the machine, thus having an alternative solution to the hydraulic version, On request, the gearboxes can be supplied with special flange and drive-shaft according to the customer's drawing. The connection flanges on the output are made of nodular cast-iron and the output shafts are made of tempered alloy steel.

Service factor

The transmittable power rates shown in this catalog have been calculated considering a service factor=1. For best dimensioning

们建议选择使用系数在 1.35 到 2 之间的齿轮箱。

润滑系统

TIN/KIN 系列的齿轮箱常用的组装连结方式为 W1 的安装位置 (齿轮箱是直立式而输入轴是在上方与机台平行)。

在这个安装位置, 齿轮箱仅需溅式润滑即可正确运作。但为妥善控制操作温度, 建议对 280 至 450 较大型号的齿轮箱, 使用马达泵浦进行强制润滑, 此方式可降低齿轮箱内的油量高度, 进而降低温度, 而且可以确保输入轴的轴承可以有充分的润滑。

齿轮箱的箱体附有注油孔盖, 洩溢油栓以及油面指示器。为确保运输的安全关系, 所有的齿轮箱交货时均不附润滑油。

因此

请注意: 齿轮箱必须在试机前先补充适量的润滑油。

第一次的更换润滑油必须在 300 个工作小时后为之 (试运转时期)。而后每次更换润滑油则必须在每 4000 个工作小时后进行。

原动机使用系数 Load Service factor SF

每天运行时间 Daily running time	4 hours			8 hours			16 hours			24 hours		
每小时启动次数 Operations per hour	<10	100-200	>200	<10	100-200	>200	<10	100-200	>200	<10	100-200	>200
I	0.7	0.8	1	0.9	1	1.1	1	1.1	1.2	1.2	1.3	1.5
II	1	1.1	1.3	1.1	1.2	1.3	1.2	1.4	1.5	1.4	1.5	1.6
III	1.3	1.4	1.5	1.4	1.5	1.6	1.5	1.6	1.7	1.6	1.7	1.8

I = 均匀载荷 · II = 中等质量的不均匀载荷 · III = 较大质量的不均匀载荷
I = Even load · II = Uneven load, medium masses · III = Uneven load, greater masses

原动机使用系数是选择齿轮尺寸时需要考虑的, 是指齿轮在各种工况下, 例如负载类型, 运行时间, 运行频率, 输出速度等。根据我们的经验, 24 小时运行时选择齿轮时必须考虑 fB = 1.5。
The load Service factor fB refers to the various operating conditions of the gear, such as type of load, running time, operation frequency, output speed etc., and is therefore imperative when choosing the gear size. Based on our experience, a load factor fB=1.5 at 24-hour operation must be considered when choosing the gear.

of the gearbox, we suggest when selecting the gearbox type to assume a service factor between 1.35 and 2.

LUBRICATION

The gearboxes of the TIN/KIN series normally will be used in the mounting position W1 (Gearbox in vertical position with input shaft horizontally at the top).

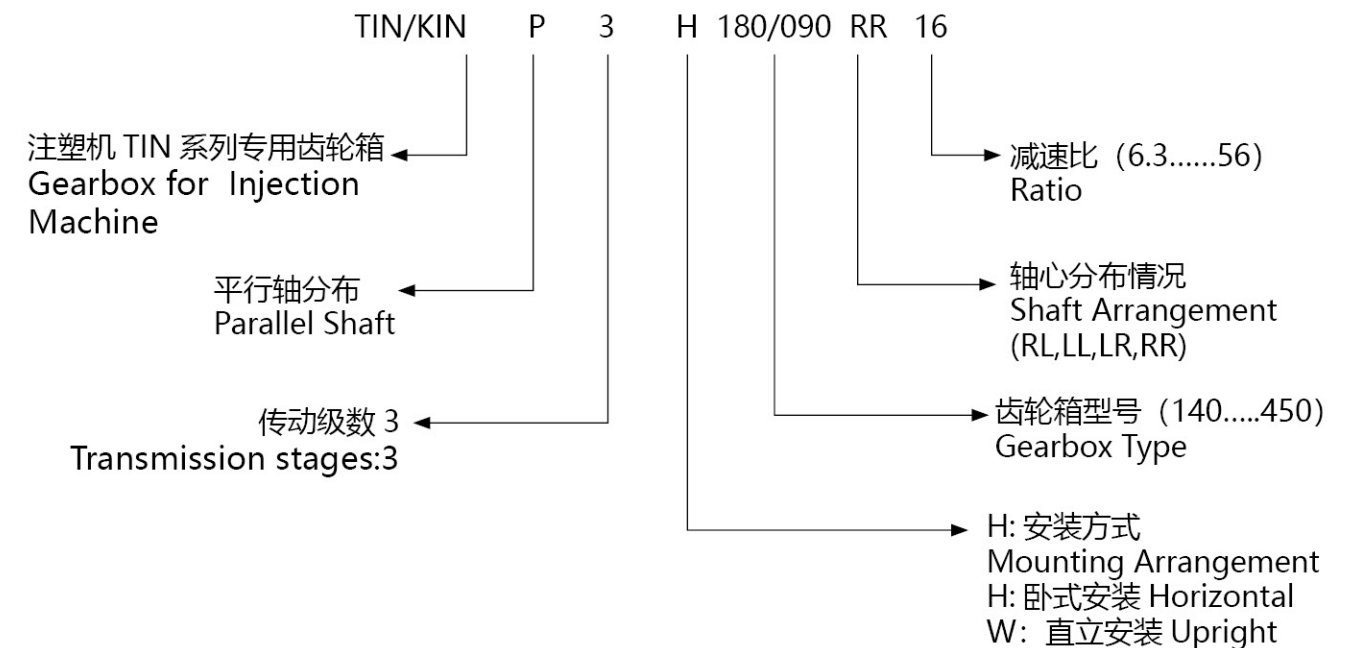
In this mounting position the gearbox works correctly with only splash lubrication. However, for improving the operation temperature, for the bigger gearbox sizes for 280 to 450 a forced lubrication is recommended by means of a motor pump which is able to reduce the temperature by lowering the oil-level in the casing, however always ensuring a correct lubrication of the bearings on the high-speed shaft.

The gearbox casing has a filler cap with breather, a drain plug and an oil-level indicator. For transport reasons, all gearboxes are shipped without oil.

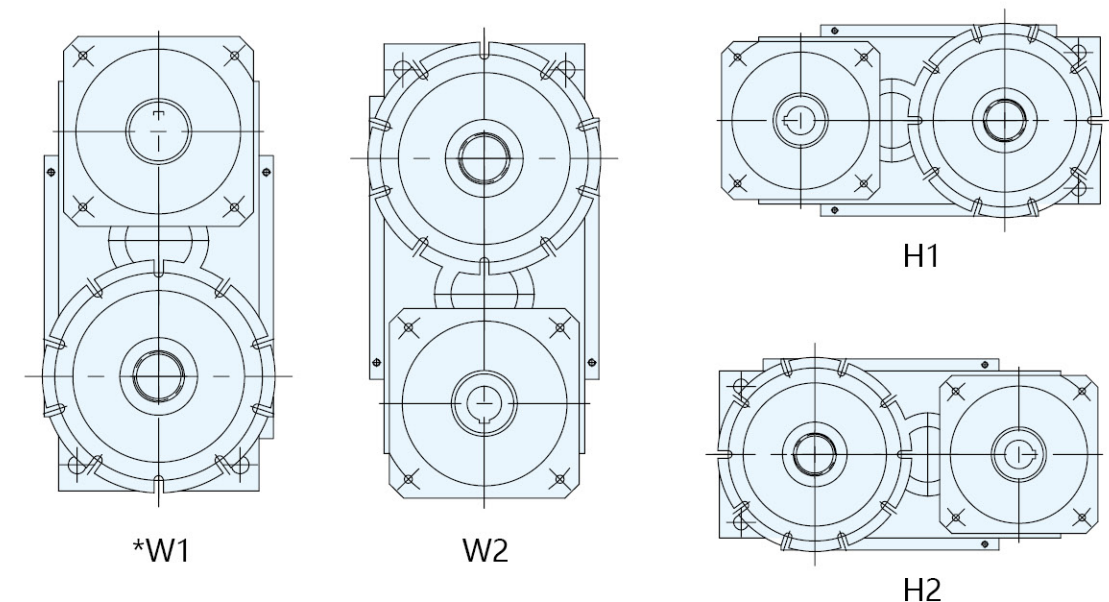
Therefore **ATTENTION: Right amount lubricating oil must be filled before test-running the gearbox.**

The first time oil changing must be carried out after 300 operation hours (run-in period). Next oil-changes must be done every 4000 operation hours.

型号表示方法
Model Representation



安装方式
Mounting Arrangement



* 标准方向 Standard Position

n ₁ rpm	140					160					180					200				
	i	n ₂ rpm	MN Nm	PN kW	Pt kW	i	n ₂ rpm	MN Nm	PN kW	Pt kW	i	n ₂ rpm	MN Nm	PN kW	Pt kW	i	n ₂ rpm	MN Nm	PN kW	Pt kW
2600	6,3	413	3255	138	22	6,3	413	4079	181	30	6,3	413	5500	248	40	6,3	413	8395	374	51
2200		349	3357	120	22		349	4206	158	30		349	5672	216	40		349	8658	326	51
1800		286	3374	99	22		286	4227	130	30		286	5700	178	40		286	8701	268	51
1500		238	3391	83	22		238	4248	109	30		238	5729	149	40		238	8745	225	51
2600	8	325	4015	138	22	8	325	5366	181	30	8	325	7225	248	40	8	325	11010	374	51
2200		275	4141	120	22		275	5534	158	30		275	7451	216	40		275	11353	326	51
1800		225	4162	99	22		225	5562	130	30		225	7488	178	40		225	11411	268	51
1500		188	4183	83	22		188	5590	109	30		188	7526	149	40		188	11468	225	51
2600	10	260	4397	120	22	10	260	6551	181	30	10	260	8933	244	40	10	260	12697	353	51
2200		220	4533	104	22		220	6756	158	30		220	9212	213	40		220	13094	308	51
1800		180	4556	86	22		180	6789	130	30		180	9258	175	40		180	13160	253	51
1500		150	4580	72	22		150	6824	109	30		150	9305	147	40		150	13226	212	51
2600	12.5	208	4510	103	22	12.5	208	6373	145	30	12.5	208	9172	207	40	12.5	208	12716	270	51
2200		176	4651	90	22		176	6572	126	30		176	9458	180	40		176	13114	236	51
1800		144	4675	74	22		144	6605	104	30		144	9507	148	40		144	13180	194	51
1500		120	4699	62	22		120	6639	87	30		120	9554	124	40		120	13245	162	51
2600	16	163	4623	82	22	16	163	6570	113	30	16	163	9443	158	40	16	163	12771	222	51
2200		138	4768	72	22		138	6775	99	30		138	9739	137	40		138	13170	194	51
1800		113	4792	59	22		113	6809	81	30		113	9787	113	40		113	13236	159	51
1500		94	4816	50	22		94	6843	68	30		94	9837	95	40		94	13304	133	51
2600	20	130	4650	62	22	20	130	6704	93	30	20	130	9127	130	40	20	130	12959	179	51
2200		110	4796	54	22		110	6913	81	30		110	9412	114	40		110	13364	156	51
1800		90	4819	45	22		90	6949	67	30		90	9459	94	40		90	13432	129	51
1500		75	4844	37	22		75	6983	56	30		75	9507	78	40		75	13500	108	51
2600	25	104	4504	51	22	25	104	6357	69	30	25	104	9203	99	40	25	104	12474	137	51
2200		88	4644	45	22		88	6556	61	30		88	9491	86	40		88	12864	120	51
1800		72	4668	37	22		72	6588	50	30		72	9539	71	40		72	12928	98	51
1500		60	4692	31	22		60	6622	42	30		60	9587	59	40		60	12994	82	51
2600	31.5	83	4530	39	22	31.5	83	6536	58	30	31.5	83	9458	81	40	31.5	83	12833	114	51
2200		70	4672	34	22		70	6740	51	30		70	9754	71	40		70	13234	99	51
1800		57	4695	28	22		57	6774	42	30		57	9804	58	40		57	13302	82	51
1500		48	4718	23	22		48	6808	35	30		48	9852	49	40		48	13368	68	51
2600	40	65	4563	30	22	40	65	6583	45	30	40	65	9494	62	40	40	65	12886	89	51
2200		55	4705	27	22		55	6788	40	30		55	9790	54	40		55	13289	78	51
1800		45	4729	22	22		45	6823	33	30		45	9840	45	40		45	13356	64	51
1500		37,5	4753	18	22		37,5	6857	27	30		37,5	9889	37	40		37,5	13423	53	51
2600	50	52	4345	24	22	50	52	6622	36	30	50	52	9355	48	40	50	52	12979	69	51
2200		44	4481	21	22		44	6829	31	30		44	9647	42	40		44	13385	60	51
1800		36	4504	18	22		36	6870	26	30		36	9695	34	40		36	13452	49	51
1500		30	4525	15	22		30	6898	21	30		30	9745	29	40		30	13519	41	51

请注意:

- 在室温 30°C 时所能承受的最大热功率, 若热功率需求大于表列数据时, 必须选用强制冷却系统。
- 上述表列 PN 值为额定马力在安全系数等于 1 的基础上所计算出的数值。计算最大可使用马力时请考量安全系数需为 1.5, 若输入转速高于 2600rpm 时请与我们技术部门联络。

ATTENTION:

Maximum input power at ambient temperature of 30°C . If a higher input power is required, please ask for forced cooling.
The indicated PN is the nominal power calculated with factor sf(agma)=1.To calculate the maximum transmittable power please consider service factor SF(AGMA)=1.5.For input speed higher than 2600 rpm please contacts up.

n ₁ rpm	225					250					280					320				
	i	n ₂ rpm	MN Nm	PN kW	Pt kW	i	n ₂ rpm	MN Nm	PN kW	Pt kW	i	n ₂ rpm	MN Nm	PN kW	Pt kW	i	n ₂ rpm	MN Nm	PN kW	Pt kW
2600	6,3	413	11990	513	67	6,3	413	16992	752	85	6,3	413	24254	1026	108	6,3	413	30490	1351	139
2200		349	12365	448	67		349	17523	565	85		349	25011	895	108		349	31443	1179	139
1800		286	12427	368	67		286	17612	540	85		286	25138	736	108		286	31602	970	139
1500		238	12490	308	67		238	17700	452	85		238	25264	617	108		238	31761	812	139
2600	8	325	14616	513	67	8	325	22535	752	85	8	325	29915	1026	108	8	325	40119	1351	139
2200		275	15073	448	67		275	23240	656	85		275	30849	895	108		275	41373	1179	139
1800		225	15149	368	67		225	23357	540	85		225	31005	736	108		225	41582	970	139
1500		188	15225	308	67		188	23475	452	85		188	31161	617	108		188	41791	812	139
2600	10	260	16949	479	67	10	260	24214	671	85	10	260	33398	909	108	10	260	48976	1351	139
2200		220	17478	418	67		220	24971	586	85		220	34441	793	108		220	50507	1179	139
1800		180	17568	343	67		180	25097	482	85		180	34615	652	108		180	50762	970	139
1500		150	17656	288	67		150	25223	403	85		150	34789	546	108		150	51017	812	139
2600	12.5	208	17482	380	67	12.5	208	24134	542	85	12.5	208	34318	783	108	12.5	208	51134	1160	139
2200		176	18029	332	67		176	24889	473	85		176	35391	683	108		176	52733	1012	139
1800		144	18120	273	67		144	25014	389	85		144	35569	562	108		144	53000	833	139
1500		120	18211	229	67		120	25140	326	85		120	35748	471	108		120	53266	697	139
2600	16	163	17618	296	67	16	163	24432	424	85	16	163	34766	596	108	16	163	50894	876	139
2200		138	18168	258	67		138	25196	370	85		138	35852	520	108		138	52485	765	139
1800		113	18260	212	67		113	25323	304	85		113	36033	427	108		113	52750	629	139
1500		94	18352	178	67		94	25450	255	85		94	36214	358	108		94	53015	527	139
2600	20	130	17553	233	67	20	130	24898	348	85	20	130	35650	475	108	20	130	52142	723	139
2200		110	18101	204	67		110	25675	303	85		110	36764	415	108		110	53772	631	139
1800		90	18192	167	67		90	25804	250	85		90	36950	341	108		90	54043	519	139
1500		75	18284	140	67		75	25934	209	85		75	37135	286	108		75	54314	435	139
2600	25	104	17552	188	67	25	104	23901	262	85	25	104	34607	394	108	25	104	51876	559	139
2200		88	18100	164	67		88	24647	228	85		88	35689	344	108		88	53497	488	139
1800		72	18192	135	67		72	24772	188	85		72	35869	283	108		72	53767	401	139
1500		60	18283	113	67		60	24897	157	85		60	36049	237	108		60	54037	336	139
2600	31.5	83	18662	151	67	31.5	83	24522	218	85	31.5	83	34909	299	108	31.5	83	51004	453	139
2200		70	18224	132	67		70	25289	190	85		70	36000	261	108		70	52598	395	139
1800		57	18316	109	67		57	25416	156	85		57	36183	214	108		57	52863	325	139
1500		48	18408	91	67		48	25544	131	85		48	36364	179	108		48	53129	272	139
2600	40	65	177																	

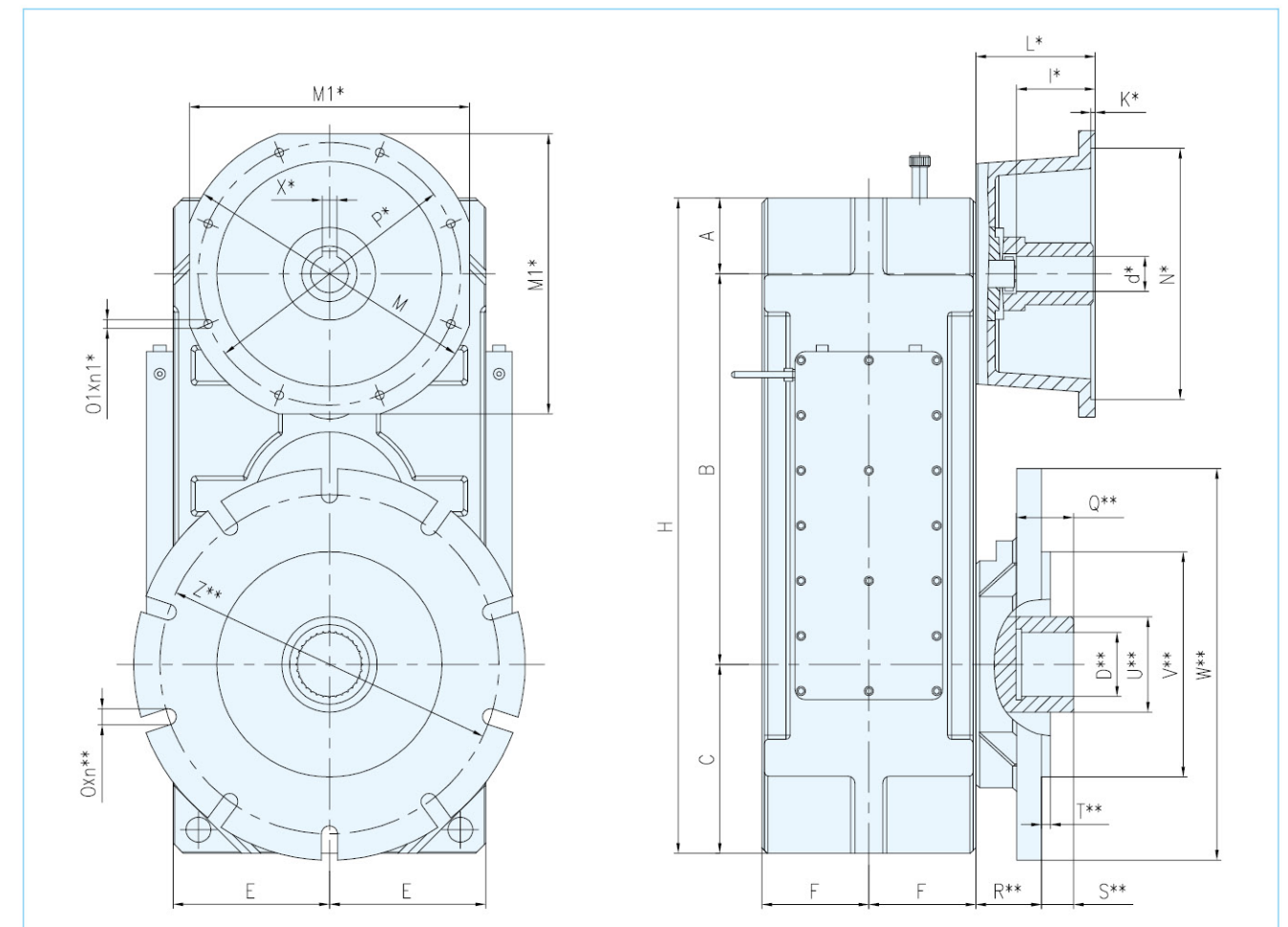
n ₁ rpm	360					400					450				
	i	n ₂ rpm	MN Nm	PN kW	Pt kW	i	n ₂ rpm	MN Nm	PN kW	Pt kW	i	n ₂ rpm	MN Nm	PN kW	Pt kW
2200		349	42777	1631	170		349	64328	2412	211		349	84172	3154	274
1800	6,3	286	42993	1341	170	6,3	286	64653	1984	211	6,3	286	84596	2594	274
1500		238	43210	1123	170		238	64978	1661	211		238	85022	2172	274
2200		275	56190	1631	170		275	80167	2412	211		275	106099	3154	274
1800	8	225	56474	1341	170	8	225	80571	1984	211	8	225	106635	2594	274
1500		188	56758	1123	170		188	80976	1661	211		188	107170	2172	274
2200		220	70650	1631	170		220	103718	2364	211		220	137791	3154	274
1800	10	180	71008	1341	170	10	180	104243	1944	211	10	180	138487	2594	274
1500		150	71364	1123	170		150	104767	1628	211		150	139182	2172	274
2200		176	73384	1398	170		176	104635	1924	211		176	131415	2542	274
1800	12.5	144	73754	1150	170	12.5	144	105164	1582	211	12.5	144	132079	2090	274
1500		120	74125	963	170		120	105692	1325	211		120	132742	1750	274
2200		138	75671	1068	170		138	104276	1475	211		138	143847	2167	274
1800	16	113	76053	878	170	16	113	104802	1213	211	16	113	144574	1782	274
1500		94	76435	736	170		94	105329	1016	211		94	145299	1493	274
2200		110	73234	885	170		110	106987	1212	211		110	159150	1792	274
1800	20	90	73605	728	170	20	90	107528	997	211	20	90	159953	1474	274
1500		75	73974	609	170		75	108068	835	211		75	160757	1234	274
2200		88	74040	671	170		88	103610	994	211		88	148941	1343	274
1800	25	72	74414	552	170	25	72	104134	818	211	25	72	149692	1104	274
1500		60	74789	462	170		60	104657	685	211		60	150444	925	274
2200		70	76167	551	170		70	104896	751	211		70	145931	1112	274
1800	31.5	57	76551	453	170	31.5	57	105426	618	211	31.5	57	146669	914	274
1500		48	76936	380	170		48	105956	517	211		48	147405	766	274
2200		55	76809	427	170		55	107553	652	211		55	147155	873	274
1800	40	45	77197	351	170	40	45	108096	536	211	40	45	147898	718	274
1500		37.5	77585	294	170		37.5	108639	449	211		37.5	148641	601	274
2200		44	75646	328	170		44	100340	466	211		44	148198	674	274
1800	50	36	76028	269	170	50	36	100847	383	211	50	36	148947	555	274
1500		30	76410	226	170		30	101354	321	211		30	149696	465	274
2200		35	74131	273	170		35	106929	378	211		35	148855	560	274
1800	63	29	74505	225	170	63	29	107468	311	211	63	29	149608	461	274
1500		24	74880	188	170		24	108009	260	211		24	150359	386	274

请注意:

- 在室温 30°C 时所能承受的最大热功率, 若热功率需求大于表列数据时, 必须选用强制冷却系统。
- 上述表列 PN 值为额定马力在安全系数等于 1 的基础上所计算出的数值。计算最大可使用马力时请考量安全系数需为 1.5, 若输入转速高于 2600rpm 时请与我们技术部门联络。

ATTENTION:

Maximum input power at ambient temperature of 30°C. If a higher input power is required, please ask for forced cooling.
The indicated PN is the nominal power calculated with factor sf(agma)=1. To calculate the maximum transmittable power please consider service factor SF(AGMA)=1.5. For input speed higher than 2600 rpm please contact us.



Size 尺寸	A	B	C	E H10	F	H	Weight kg	Oil kg
140	70	342	160	140	118	572	159	10
160	90	385	180	160	133	655	228	13
180	100	432	200	180	148	732	354	20
200	100	485	225	200	165	810	448	28
225	112	545	250	225	180	907	660	41
250	125	610	280	250	203.5	1015	920	52
280	140	685	315	280	230	1140	1192	86
320	160	770	355	315	252	1285	1711	110
360	-	-	-	-	-	-	-	-
400	-	-	-	-	-	-	-	-
450	-	-	-	-	-	-	-	-

* 马达连接的法兰 (MC) 尺寸请参照第九页
Flange size for motor mounting(MC)

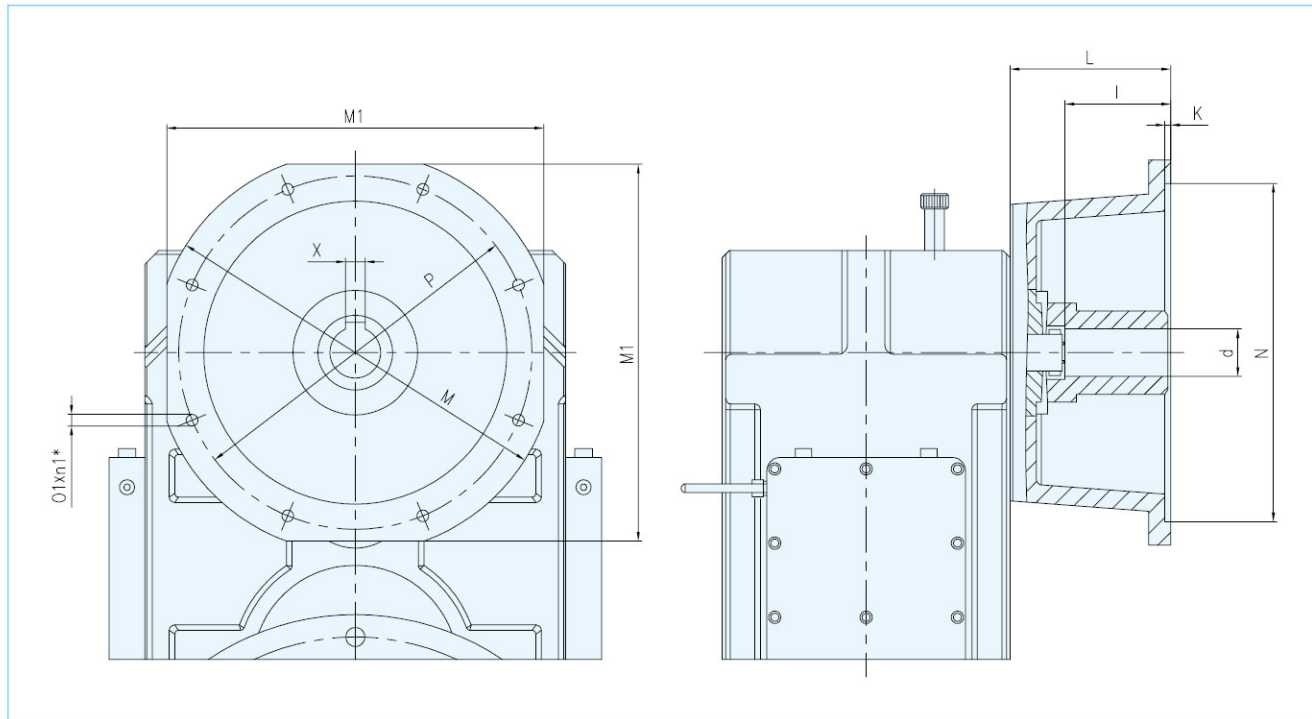
** 出力轴连接的法兰 (OF) 尺寸请参照第十页
Output Flange size (OF)

请注意: 上述重量为参考数据, 会因减速比、法兰大小和其他的配备不同而改变。

表列之油量是依据 W1 落地方向溅式润滑的齿轮箱为基准, 其他落地方向所需之油量可依方向的不同而降低, 也可因强制润滑使用泵浦或马达驱动泵浦而减少。

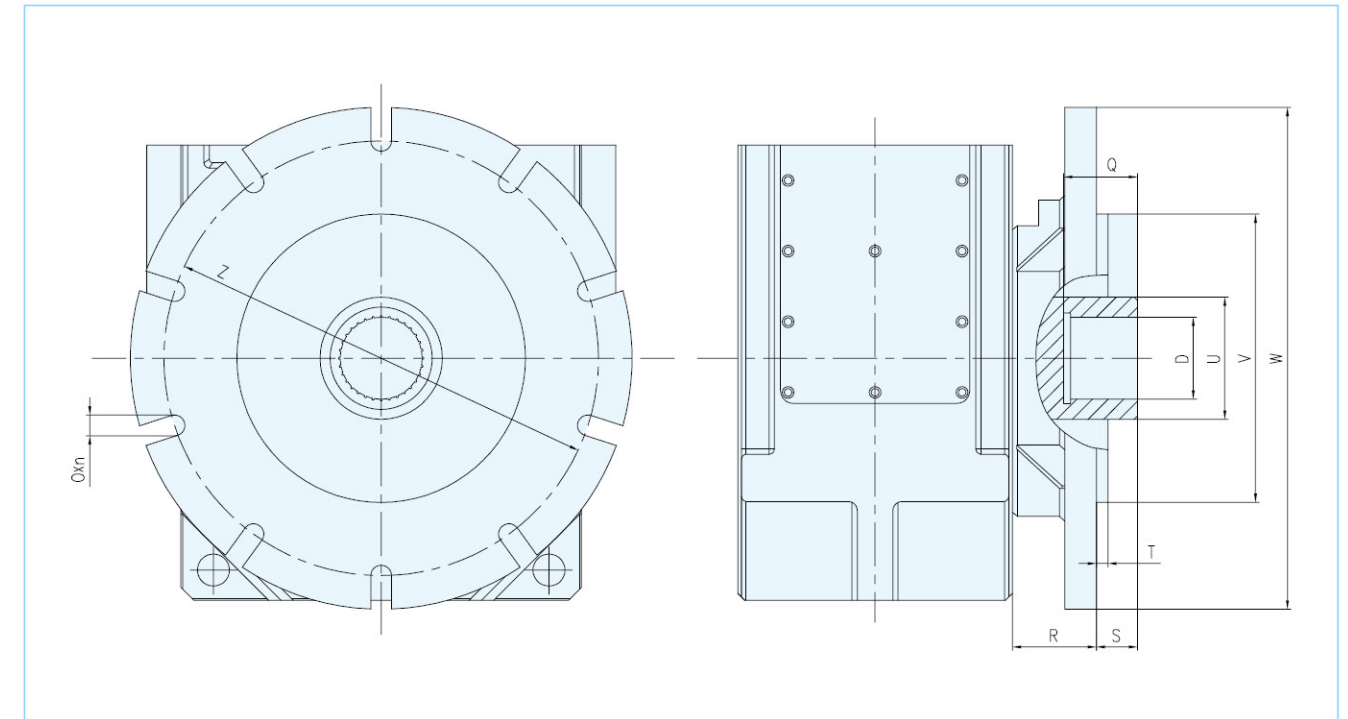
ATTENTION: the weights have to be considered a guideline and may vary according to the reduction ratio, and the accessories required.

The oil quantity has to be considered as reference and is applicable for gearboxes in mounting position W1 and splash lubrication. The quantity varies according to the mounting position and decreases if the lubrication is of the forced type when a pump or a motor-driven pump is used.



外观尺寸 Overall Dimensions

型号	联轴器与连接座 Coupling&Bell						TIN-P3 齿轮箱 Gearboxes TIN3															
	M	M1	P	N	K	Olxn1	d	X	I	L	140	160	180	200	225	250	280	320	360	400	450	
MC2A	250	200	215	180	5	M12x4	28	8	60	-	x	x										
MC2B							32	10	80		x	x										
MC3C	300	260	265	230	5	M12x4	38	10	80	150	x	x										
MC3D							42	12	110		x	x	x									
MC4D							42	12	110		x	x	x	x								
MC4E	350	270	300	250	6	M16x4	48	14	110	160	x	x	x	x								
MC4F							55	16	110			x	x	x								
MC5F							55	16	110			x	x	x	x	x	x	x				
MC5G	400	320	350	300	6	M16x4	60	18	140	180		x	x	x	x	x	x	x				
MC5H							65	18	140			x	x	x	x	x	x	x				
MC6G							60	18	140			x	x	x	x	x	x	x				
MC6H	450	410	400	350	8	M16x8	65	18	140	195			x	x	x	x	x	x				
MC6I							70	20	140					x	x	x	x	x				
MC6							-	-	-						x	x	x	x				
MC7H							65	18	140						x	x	x	x	x	x	x	x
MC7I	550	-	500	450	8	M16x8	70	20	140	220					x	x	x	x	x	x	x	
MC7L							75	20	140						x	x	x	x	x	x	x	
MC7							-	-	-							x	x	x	x	x	x	
MC8M	660	-	600	550	8	M20x8	80	22	170	-												
MC9	800	-	740	680	9	M22x8	-	-	-	-												



外观尺寸 Overall Dimensions

出力轴法兰 "OF" OUTPUT FLANGE "OF"											
Type	D DIN 5480	Oxn	Q	R	S	T	U	V h8	W	Z	
OF2	32x2x14	11x10	31	60	17	8	60	145	228	204	
OF3	35x2x16	11x10	33	60	14	10	65	160	255	225	
OF4	40x2x18	11x10	41	60	27	10	65	175	260	232	
OF5	47x2x22	13x10	43	70	28	10	70	190	300	266	
OF6	55x3x17	13x10	49	70	28	10	80	220	325	290	
OF7	65x3x20	15x10	58	70	38	10	90	250	370	330	
OF8	75x3x24	17x10	65	70	47	10	100	290	425	380	
OF9	85x3x27	19x10	70	80	48	12	120	335	500	440	
OF10	100x3x32	22x10	85	90	50	12	140	400	605	540	
OF11	110x3x35	26x10	90	100	50	15	170	450	660	600	
OF12	150x4x36	32x12	140	180	82	15	210	450	750	650	
OF13	160x5x30	-	150	-	50	-	210	-	-	-	

齿轮箱与出力轴法兰之组合
MOUNTINGS OUTPUT FLANGE

TIN3/140/...	...-OF5 ...-OF6
TIN3/160/...	...-OF5 ...-OF6 ...-OF7
TIN3/180/...	...-OF6 ...-OF7 ...-OF8
TIN3/200/...	...-OF8 ...-OF9
TIN3/225/...	...-OF8 ...-OF9 ...-OF10
TIN3/250/...	...-OF9 ...-OF10
TIN3/280/...	...-OF10 ...-OF11
TIN3/320/...	...-OF11 ...-OF12
TIN3/360/...	...-OF12 ...-OF13
TIN3/400/...	...
TIN3/450/...	...

性能参数, 轴距和重量

Performance data, distances between axes and weights

Gear type KIN 齿轮箱型号	Torque 扭矩	Power 功率	Axle base 轴距	Weight 重量
015	2,000	40	328	150
025	3,000	65	358	185
050	6,000	100	405	320
060	8,000	125	425	380
090	11,500	150	482	400
120	15,000	180	517	600
160	18,000	200	517	605
240	30,000	250	630	1,040
300	38,000	300	630	1,100
600	60,000	500	755	1,410

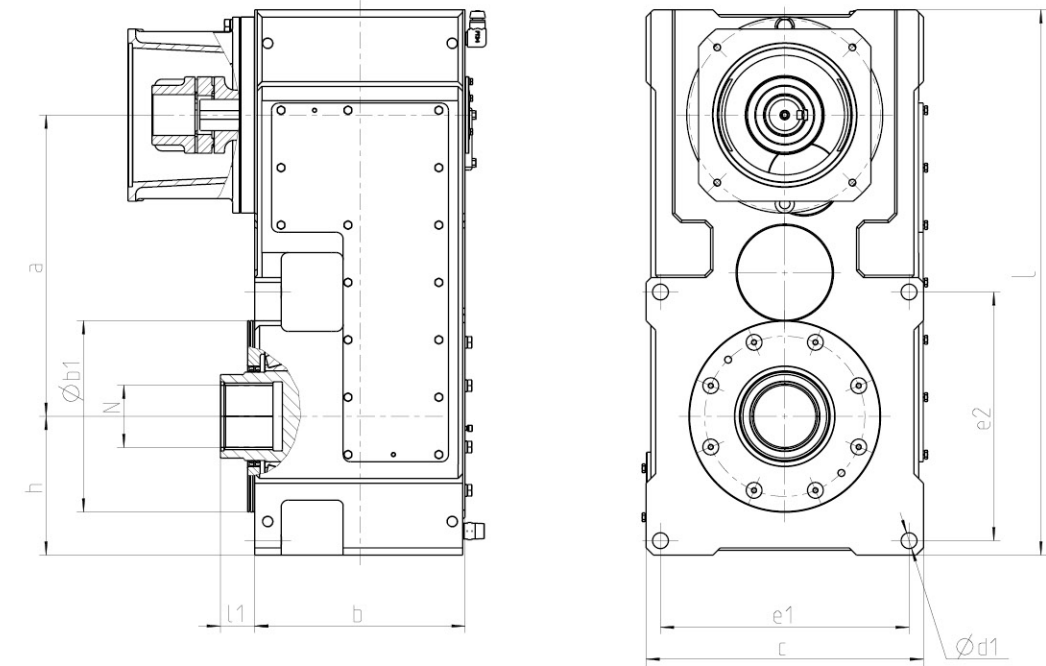
根据要求可以提供更大的扭矩和轴距
 * 安全系数 fb = 1 时的最大允许扭矩。
 ** 重量是近似值, 可能因型号而异。

Greater torques and distances between axes upon request.
 * Maximum permissible torque at load factor fb = 1.
 ** The weights are approximations and can vary depending on the model.

油量 Oil quantities

Gear type KIN	015	025	050	060	090	120	160	240/300	600
油量 (升) Oil quantity(liter)	8	14	30	29	43	60	58	115	145

表中所列的油量仅是近似值。油尺 / 油镜的标记对于加油量至关重要。
 The quantity of oil stated in the table is an approximation only. The markings of the dipstick / oil sight glass are decisive for the amount of oil to be filled in.



安装尺寸 Dimensions

安装尺寸 型号 Dimensions(mm) Gear type KIN	主要尺寸 Main dimensions										输入轴 Drive shaft 根据客户要求定制 (customer-specific)
	a	b	c	h	l	Φb1	Φd1	e1	e2	l1	N (DIN5480)
KIN015	328	191	260	130	590	150	13.5	224	224	53	N45×2×21
KIN025	358	200	320	160	650	180	17.5	280	280	40	N55×3×17
KIN050	405	250	400	200	790	250	22	320	302	70	N65×3×20
KIN060	425	250	400	200	790	250	22	320	302	70	N65×3×20
KIN090	482	280	430	215	830	250	22	346.5	346.5	28	N85×3×27
KIN120	517	335	500	250	900	300	26	416	342	83	N85×3×27
KIN160	517	335	500	250	900	300	26	416	390	28	N120×5×22
KIN240	630	440	580	290	1140	400	33	520	520	72	N140×5×26
KIN300	630	440	580	290	1140	400	33	520	520	72	N140×5×26
KIN600	755	477	680	340	1250	450	39	590	590	86	N150×5×28

所有尺寸均参考标准型号。定制尺寸可能会有所不同。如果在技术上可行, 当然可以满足特殊要求。来咨询我们吧!
 All dimensions refer to the standard models. The customized dimensions may vary here above all. Special requests will of course be satisfied if they are technically available. Just ask us!

可提供与液压马达匹配的所有法兰尺寸。
 Adapter flanges, pin compatible with hydraulic motors, are available for all sizes.

润滑油建议表 Recommended oil types

润滑油种类 Type of lubricant	用途 Application	润滑油 Lubricant			
		油品 OIL	适用室温 AMBIENT TEMPERATURE		
矿物油 Mineral oil	减速齿轮箱 Reduction gearboxes	ISO VG 220EP	-15°C ~+15°C		
		ISO VG 320EP	+10°C ~+40°C		
		可替代之同等级润滑油 Corresponding Lubricants			
		Type	Brand-name	Type	Brand-name
		MELLANA OIL BLASIA	IP AGIP	MOBIL GEAR 600XP OMALA EP	MOBIL SHELL

冷却方式

TYPE OF COOLING

马达泵浦和热交换器

有时，产生的大量热量 (kcal) 必须被消除，因此，必须使用马达泵浦和热交换器。主要增加热交换效率的参数如下：

- 冷却水导入时的水温
- 每分钟的耗水量 (升)
- 油压泵浦每分钟的送油量 (升)
- 热交换器的大小

对上列任一数据做调整即可解决现有的热功率问题。

这是非常有效的方式而且可满足大多数不同的需求。

Electric pump and heat exchanger

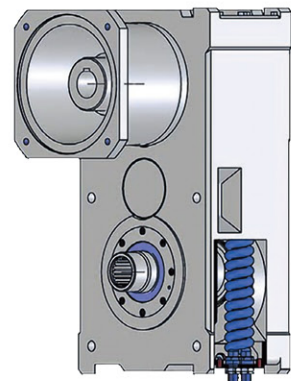
Sometimes a large heat quantity (kcal) must be dissipated.

For this purpose, an electric pump and an external heat-exchanger must be used. The main parameters for increasing the heat dissipation are as follows:

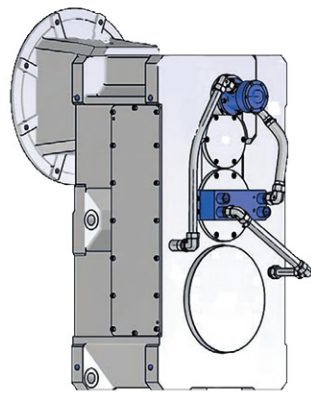
- Water intake temperature
- Water quantity in liters for minute
- Delivery rate in liters for minute of the oil pump
- Size of the heat exchanger

Any intervention on these parameters can resolve any existing thermal problems. This solution is very efficient and satisfies the most different requirements.

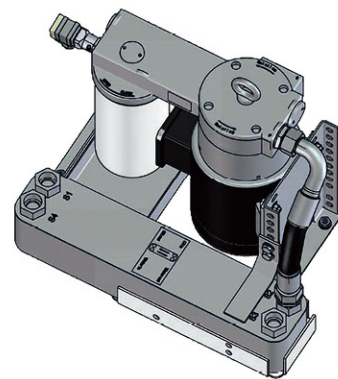
Cooling 冷却



冷却盘管
Cooling coil



泵和板式换热器
Pump and plate heat exchanger



电子泵冷却
Cooling aggregates with electric pump

冷却盘管 Cooling coil

这种在油底壳中带有铜冷却盘管的冷却系统是冷却齿轮油性价比最高的选择。This cooling system with a copper cooling coil in the oil sump is the most inexpensive option of cooling the gear oil.

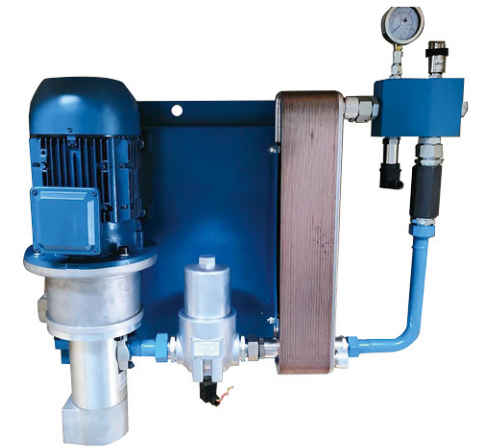
泵和板式换热器 Pump and plate heat exchanger

这种冷却原理是实现更高性能的非常有效，经济且经过验证的解决方案。This cooling principle is a very effective, economical and proven solution for greater performances.

电子泵冷却 Cooling aggregates with electric pump

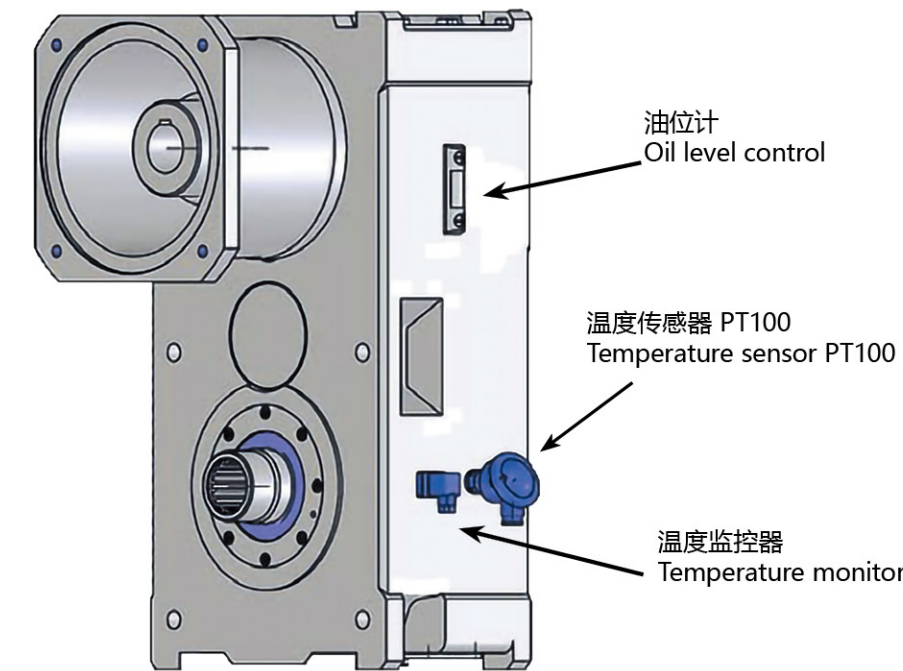
高性能需要合适的冷却系统。冷却的设计取决于齿轮的尺寸和所需的性能。范围从直接安装的冷却器到带有自己的水箱和所有必要监控设备的外部冷却单元。

High performances demand a suitable cooling system. The cooling is designed depending on the gear size and required performance. This ranges from the directly mounted cooler to the external cooling unit with its own tank and all the necessary monitoring devices.



Example of a pump-transfer cooler filtration unit
泵输送过滤冷却器示例

监控装置 Monitoring devices

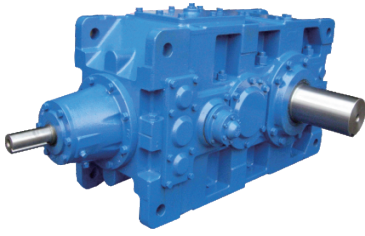


为了实现可控的安全运行，对齿轮的监控尤为重要，尤其是为了获得更高的性能，为此使用了特殊的传感器和油温，油位，流量和速度监控器。

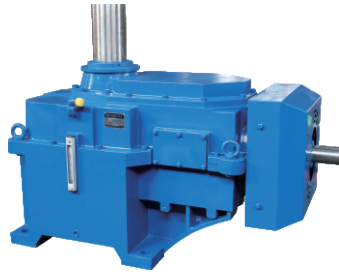
For a controlled and safe operation, special importance is attached to the monitoring of the gears, especially for greater performances. Special sensors and monitors for oil temperature, oil level, flow and speed are used for this.



多样的监控装置，传感器和开关有库存。
A large number of monitors, sensors and switches are available.



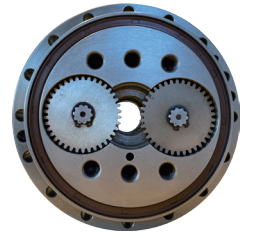
直交齿轮箱TSG系列
Right angle gearbox



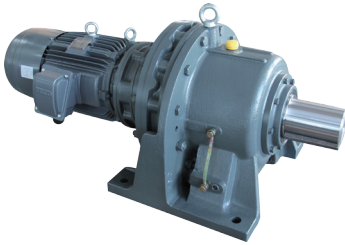
冷却水塔专用齿轮箱
TCT系列
Gearbox TCT series
for Cooling Tower



橡胶专用齿轮箱
Gearbox TEX series
for extruder machine



机器人关节用RV减速机
RV Gearbox for robot



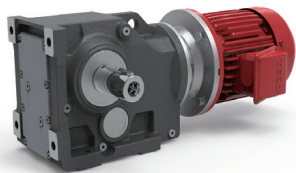
摆线减速机
Cycloidal Speed Reducer



行星减速机
Planetary Speed Reducer



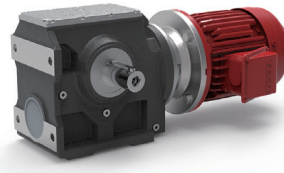
水泥搅拌齿轮箱
Concrete mixture drive



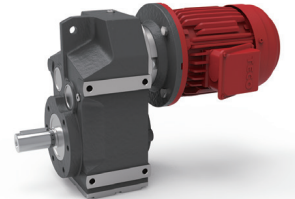
TK斜齿轮
伞齿轮减速电机
TK Helical
Bevel Geared Motor



TR斜齿轮
减速电机
TR Helical
Geared Motor



TS斜齿轮
蜗轮蜗杆减速电机
TS Helical
Worm Geared Motor



TF平行轴
斜齿轮减速电机
TF Parallel Shaft
Helical Geared Motor

台南总部
台南科学园·善化区

传仕精密机械股份有限公司

- 电话：+886-6-5818117
- 传真：+886-6-5819117
- evachen@transcyko.com
- 台南市善化区兴农路69巷31弄17号 74160

南京制造中心

南京传仕重工科技有限公司

- 电话：+86-025-566-07388
- 传真：+86-025-566-03188
- emma@transcyko-transtec.com
- 南京市溧水区和凤机电产业园凤鸣路28号 211216